

Crystal Units

水晶振動子

Tuning Fork Crystal 32.768KHZ 時計用水晶振動子

CM7V-T1A



CM7V-T1A 0.4



Feature 特徴

3.2mmx1.5mm Size: Tuning Fork Crystal 32.768kHz by ceramic package.

3.2mmx1.5mmサイズ: 時計用水晶振動子 32.768kHzのセラミック・パッケージ版です

Low package height(0.65mm) and Ultra low package height(0.38mm) is available.

薄型0.65mmT、超薄型0.38mmTタイプをご提供させていただきます

High stability, Low aging, Low power consumption, High shock and vibration resistance.

高安定性、エージング特性、電力消費特性、耐衝撃特性、耐振動特性などで優れています

Product supply from **MICRO CRYSTAL SWITZERLAND.**

この製品は、マイクロクリスタル社から提供されております



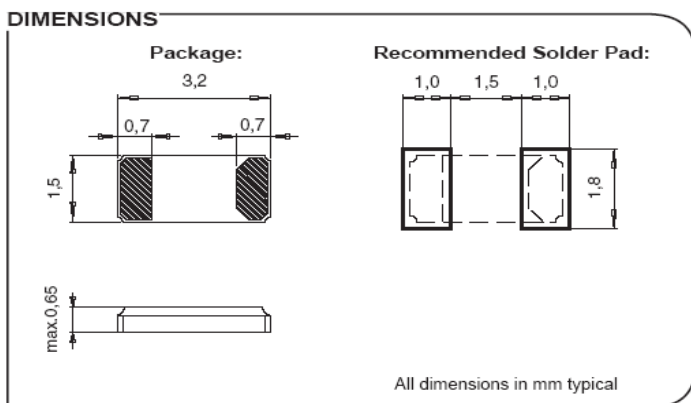
Specification 仕様

			CM7V-T1A	CM7V-T1A 0.4	
Nominal Frequency	公称周波数	F_L	32.768	32.768	kHz
Load capacitance	負荷容量	C_L	7.0/9.0/12.5	7.0/9.0/12.5	pF
Frequency tolerance	周波数偏差	$\Delta F/F$	+/-20	+/-20	ppm
		$\Delta F/F$	+/-100	+/-100	ppm
Series resistance	直列抵抗(typ./max.)	R_s	50/70	55/80	k Ω
Motional capacitance	直列容量(typ.)	C_1	3.7	4.4	fF
Static capacitance	並列容量(typ.)	C_0	1.2	1.6	pF
Drive level max.	ドライブレベル	P	1.0	0.5	μ W
Insulation resistance	絶縁抵抗(min.)	R_i	500	500	M Ω
Aging first year max.	初年度エージング	$\Delta F/F$	+/-3	+/-3	ppm
Turnover temperature	変曲点温度	T_0	25+/-5	25+/-5	

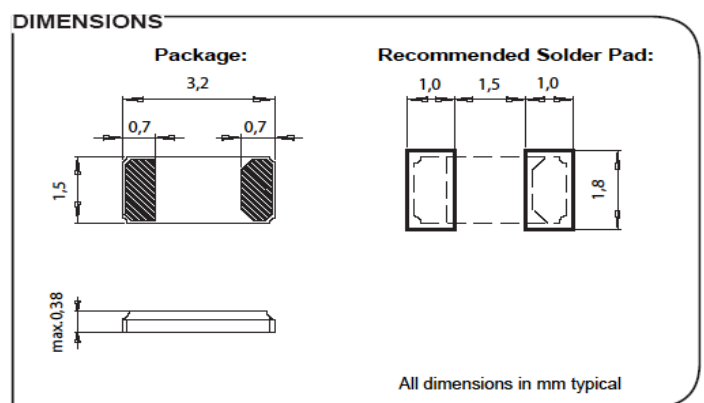
Other frequencies and load capacitance on request他の周波数や負荷容量は、お問合せ下さい。

Tighter and wider frequency tolerances on request.偏差の縮小、拡大についてはお問合せ下さい。

Case Dimensions ケース寸法



CM7V-T1A



CM7V-T1A 0.4

Crystal Units

水晶振動子

Product Description and Ordering Information 製品内容、及び、型名情報

CM7V-T1A 32.768kHz 12.5pF +/-20ppm TA QC

Frequency f_L
 C_L Load Capacitance
 7.0 pF
 9.0 pF
 12.5 pF
Frequency tolerance
 +/- 20 ppm
 +/- 100 ppm

Temperature Range
 TA = -40 to 85°C (Standard)
 TB = -40 to +125°C
 TC = -55 to +125°C

Optional:
 if not defined,
 ,Standard' will apply

Qualification
 QC = Commercial (Standard)
 QA = Automotive AEC-Q200

A unique part number will be generated for each product specification, i.e:
 20xxxx-MG01 1'000 pcs (in 12mm tape on 7" reel)
 20xxxx-MG03 3'000 pcs (in 12mm tape on 7" reel)
 20xxxx-PG14 14'000 pcs (in 12mm tape on 13" reel)
 Please contact us.

CM7V-T1A 0.4 32.768kHz 12.5pF +/-20ppm TA QC

Frequency f_L
 C_L Load Capacitance
 7.0 pF
 9.0 pF
 12.5 pF
Frequency tolerance
 +/- 20 ppm
 +/- 100 ppm

Temperature Range
 TA = -40 to 85°C (Standard)

Optional:
 if not defined,
 ,Standard' will apply

Qualification
 QC = Commercial (Standard)

A unique part number will be generated for each product specification, i.e:
 20xxxx-MG01 1'000 pcs (in 12mm tape on 7" reel)
 20xxxx-MG03 3'000 pcs (in 12mm tape on 7" reel)
 20xxxx-PG14 14'000 pcs (in 12mm tape on 13" reel)
 Please contact us.